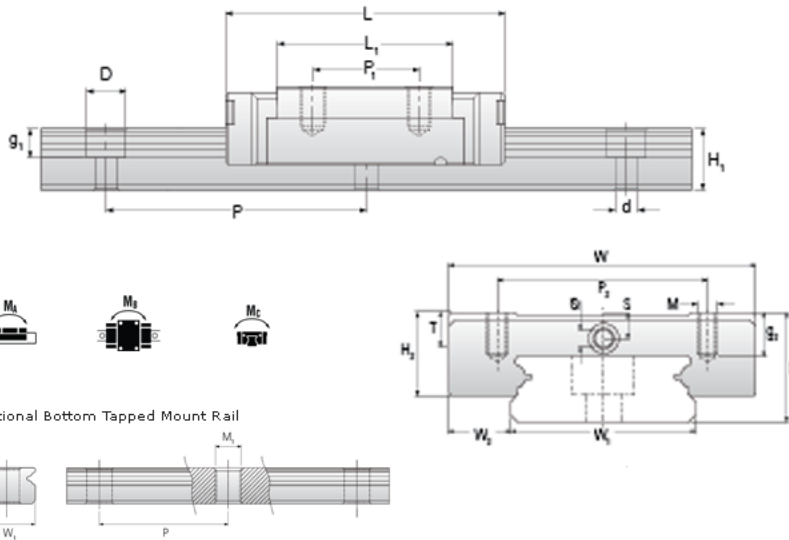
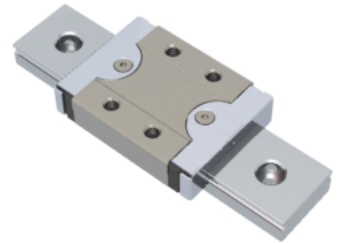


NMR 9WN SUE Assembly

Call 800-321-7800 or visit us online at www.nookindustries.com to configure and order your NMR 9WN SUE Assembly today!



Dimensions	
H [mm]	12
W ₂ [mm]	6
Wide Miniature Block Four Mounting Holes (Runner Block)Details	
Size [mm]	9
(Runner Block)Dimensions	
W [mm]	30
L [mm]	40.2
L ₁ [mm]	27.9
h ₂ [mm]	9.4
P ₁ [mm]	12
P ₂ [mm]	21
M × g ₂	M3 × 3
∅ [mm]	1.3
S [mm]	2.6
T [mm]	4
(Runner Block)Forces and Torques	
Basic Load Ratings C [N]	2030
Basic Load Ratings C ₀ [N]	3605
Static Moment Ratings-M _a [N-m]	33.2
Static Moment Ratings-M _b [N-m]	13.7
Static Moment Ratings-M _c [N-m]	13.7
(Runner Block)Weight	
Weight-Block [g]	37
Wide Miniature Rail Top Mount Single Row (Top Mount Rail)Details	
Size [mm]	9
(Top Mount Rail)Dimensions	
H [mm]	12
W ₁ [mm]	18
H ₁ [mm]	7.3
P [mm]	30
D [mm]	6
d ₁ [mm]	3.5
g ₁ [mm]	3.5
(Top Mount Rail)Weight	
Weights-Rail [g/m]	940.0
Wide Miniature Rail Bottom Tapped Mount Single Row (Bottom Mount Rail)Details	
Size [mm]	9
(Bottom Mount Rail)Dimensions	
H ₁ [mm]	8.5
W ₁ [mm]	24
P [mm]	40
M ₁	M5 x 0.8
(Bottom Mount Rail)Weight	
Weights-Rail [g/m]	940.0