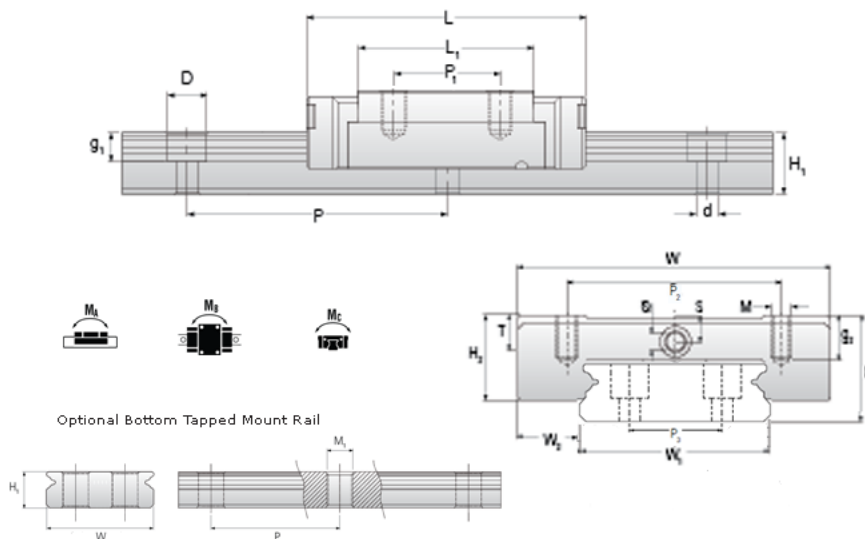
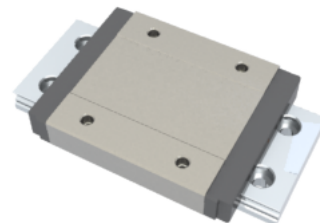


NMR 15WL SS Assembly

Call 800-321-7800 or visit us online at www.nookindustries.com to configure and order your NMR 15WL SS Assembly today!



Optional Bottom Tapped Mount Rail

Dimensions	
H [mm]	16
W2 [mm]	9
Wide Miniature Block Four Mounting Holes (Runner Block)Details	
Size [mm]	15
(Runner Block)Dimensions	
W [mm]	60
L [mm]	74.4
L1 [mm]	57.6
h2 [mm]	12
P1 [mm]	35
P2 [mm]	45
M × g2	M4 × 4.5
Ø [mm]	1.8
S [mm]	3.3
T [mm]	4.5
(Runner Block)Forces and Torques	
Basic Load Ratings C [N]	6725
Basic Load Ratings C0 [N]	12580
Static Moment Ratings-Ma [N-m]	93.1
Static Moment Ratings-Mb [N-m]	93.1
Static Moment Ratings-Mc [N-m]	257.6
(Runner Block)Weight	
Weight-Block [g]	200
Wide Miniature Rail Top Mount Double Row (Top Mount Rail)Details	
Size [mm]	15
(Top Mount Rail)Dimensions	
H [mm]	16
W1 [mm]	42
H1 [mm]	9.5
P [mm]	40
P3 [mm]	23
D [mm]	8
d1 [mm]	4.5
g1 [mm]	4.5
(Top Mount Rail)Weight	
Weights-Rail [g/m]	2818.0
Wide Miniature Rail Bottom Tapped Mount Double Row (Bottom Mount Rail)Details	
Size [mm]	15
(Bottom Mount Rail)Dimensions	
H1 [mm]	9.5
W1 [mm]	42
P [mm]	40
P3 [mm]	23
M1	M5 x 0.8

