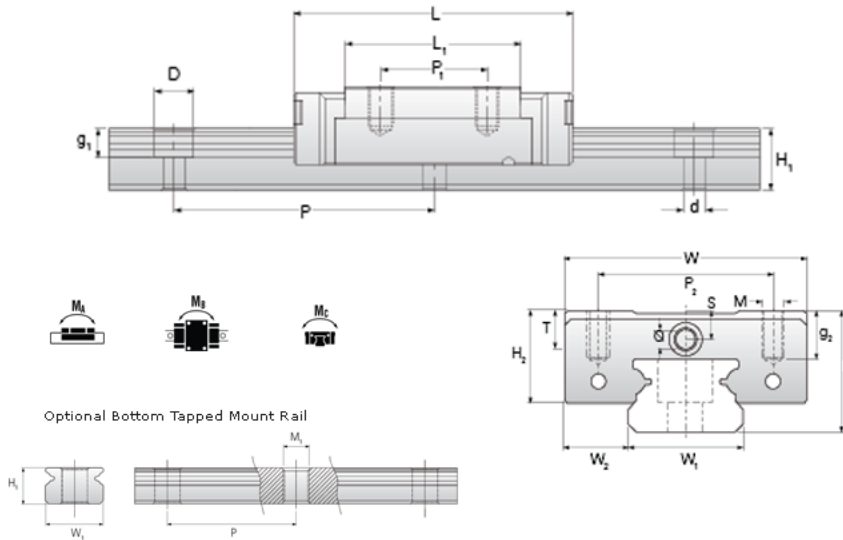
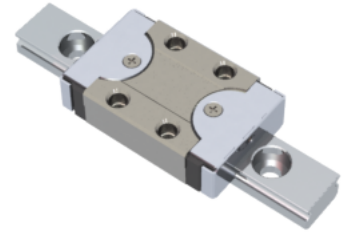


## NMR 9MN EU Assembly

Call 800-321-7800 or visit us online at [www.nookindustries.com](http://www.nookindustries.com) to configure and order your NMR 9MN EU Assembly today!



<b>Dimensions</b>	
H [mm]	10
W2 [mm]	5.5
<b>Standard Miniature Block Four Mounting Holes (Runner Block)Details</b>	
Size [mm]	9
<b>(Runner Block)Dimensions</b>	
W [mm]	20
L [mm]	31.6
L1 [mm]	20.5
h2 [mm]	8.6
P1 [mm]	10
P2 [mm]	15
M × g2	M3 × 3.0
Ø [mm]	1.3
S [mm]	2.2
T [mm]	3.3
<b>(Runner Block)Forces and Torques</b>	
Basic Load Ratings C [N]	1570
Basic Load Ratings C0 [N]	2495
Static Moment Ratings-Ma [N-m]	6.4
Static Moment Ratings-Mb [N-m]	6.4
Static Moment Ratings-Mc [N-m]	11.7
<b>(Runner Block)Weight</b>	
Weight-Block [g]	18
<b>Standard Miniature Rail Top Mount (Top Mount Rail)Details</b>	
Size [mm]	9
<b>(Top Mount Rail)Dimensions</b>	
H [mm]	10
W1 [mm]	9
H1 [mm]	5.5
P [mm]	20
D [mm]	6
d1 [mm]	3.5
g1 [mm]	3.5
<b>(Top Mount Rail)Weight</b>	
Weights-Rail [g/m]	301.0
<b>Standard Miniature Rail Bottom Tapped Mount (Bottom Mount Rail)Details</b>	
Size [mm]	9
<b>(Bottom Mount Rail)Dimensions</b>	
H1 [mm]	5.5
W1 [mm]	9
P [mm]	20
M1	M4 x 0.7
<b>(Bottom Mount Rail)Weight</b>	
Weights-Rail [g/m]	301.0