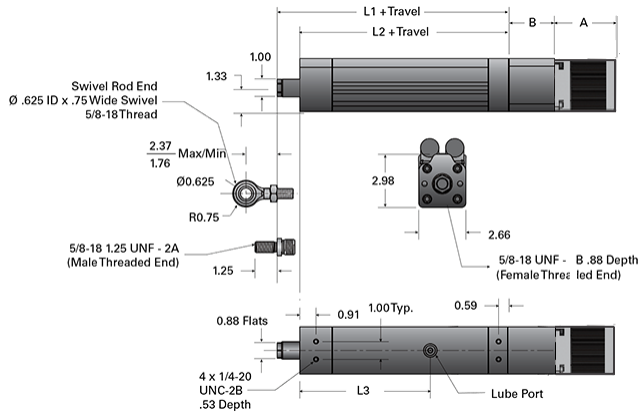


## PA05-I 0750-0500 SRT RA T

Call 800-321-7800 or visit us online at [www.nookindustries.com](http://www.nookindustries.com) to configure and order your PA05-I 0750-0500 SRT RA T today!



### Details

Screw	0750-0500 SRT RA
Ball Circle Diameter [in]	0.750
Screw Lead [in]	0.500

### Performance Specifications

Lead Accuracy +/- [in/in]	0.004
Efficiency [%]	>90
Ball Nut Max Velocity [in/min]	1500
Max Capacity [lb]	1000
Dynamic Load [lb] (Ball screw L10 life based on 1 mil. Inches of travel)	2723

### Dimensions

L1 + Travel [in]	10.10
L2 + Travel [in]	8.83
L3 [in]	8.40
A (w/out Reducer, No Brake) [in]	T23 3.03 / T34 4.96 / T23IP 3.27 / T34IP 5.00
A (w/out Reducer, Brake) [in]	T23B 4.28 / T34B 6.13
A (w/Reducer, No Brake) [in]	T23 6.59
A (w/Reducer, Brake) [in]	T23B 7.84
B (w/out Reducer) [in]	T23 2.36/ T34 2.86
B (w/Reducer) [in]	T23 2.86