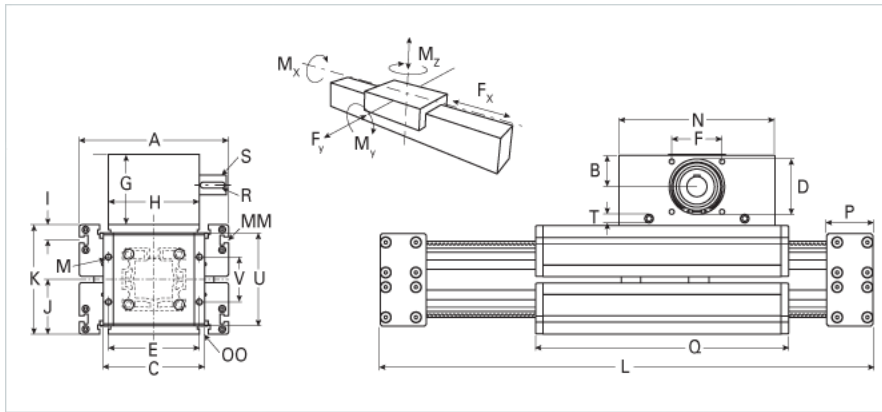
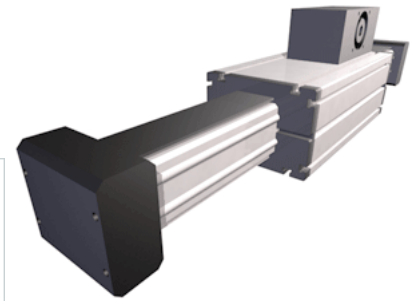


ELFZex 100 Extended Carriage

Call 800-321-7800 or visit us online at www.nookindustries.com to configure and order your ELFZex 100 Extended Carriage today!



Details

| | |
|-----------------|------|
| Size | 100 |
| Belt | 8M70 |
| mm/Rev | 152 |
| Number of Teeth | 38 |

Dimensions

| | |
|--------------------------------|---------|
| Basic Length L [mm] | 770 |
| A [mm] | 230 |
| B [mm] | 62 |
| C [mm] | 170 |
| D [mm] | 110 |
| E [mm] | 150 |
| F [mm] | 100 |
| G [mm] | 143 |
| H [mm] | 160 |
| I [mm] | 29 |
| J [mm] | 89 |
| K [mm] | 178 |
| M | M10 |
| MM | M10 |
| N [mm] | 310 |
| OO [mm] | M10 |
| P [mm] | 77 |
| Q [mm] | 575 |
| R [mm] | 12x8x50 |
| S [mm] | 40x55 |
| T | M10 |
| U [mm] | 150 |
| V [mm] | 80 |
| Shaft Diameter and Length [mm] | 40 x 55 |
| Key | 12x8x50 |

Speed

| | |
|---------------------|---|
| Speed Maximum [m/s] | 1 |
|---------------------|---|

Forces and Torques

| | |
|---------------------------|------|
| Drive Torque Maximum [Nm] | 101 |
| No-load torque [Nm] | 2 |
| Fx dynamic [N] | 3650 |
| Fy dynamic [N] | 4960 |
| Fz dynamic [N] | 1043 |
| Mx dynamic [Nm] | 162 |
| My dynamic [Nm] | 218 |
| Mz dynamic [Nm] | 520 |
| Fx static [N] | 4200 |
| Fy static [N] | 6200 |
| Fz static [N] | 1292 |
| Mx static [Nm] | 202 |
| My static [Nm] | 272 |
| Mz static [Nm] | 652 |

Geometrical moments of inertia of aluminum profile

| | |
|--------------------------------------|---------|
| Elastic modulus [N/mm ²] | 70000 |
| Ix [mm ⁴] | 4440000 |
| Iy [mm ⁴] | 4480000 |

Weight

| | |
|-----------------------------------|------|
| Additional Weight per 100 mm [kg] | 1.80 |
|-----------------------------------|------|

| | |
|--|----------|
| Basic Weight [kg] | 69.0 |
| Values for Calculating Inertias | |
| Pulley Material - Drive Pulley (x5) | Aluminum |
| Pulley Material - Idler Pulleys (x2) | Plastic |
| Pulley Diameter [mm] | 96.77 |
| Effective Pulley Width [mm] | 160 |
| Belt Weight [kg/m] | 0.355 |
| Standard Carriage Weight [kg] | 28.25 |
| No-load torque [Nm] | 2.0 |
| Friction Coefficient | 0.01 |