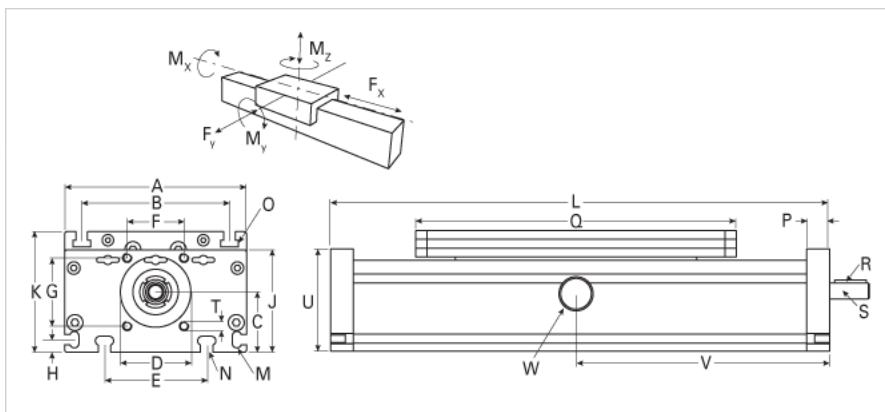


## DLK 160 Extended Carriage 6 Split Rollers

Call 800-321-7800 or visit us online at [www.nookindustries.com](http://www.nookindustries.com) to configure and order your DLK 160 Extended Carriage 6 Split Rollers today!



Details	
Size	160
Screw Options	25x5/20x20/25x10/25x25
Screw Type	Ball Screw
Dimensions	
Basic Length L [mm]	360
A [mm]	160
B [mm]	130
C [mm]	53
D [mm]	62
E [mm]	90
F [mm]	50
H [mm]	11
J [mm]	90
K [mm]	106
M	M 6
N	M 8
O	M 8
P [mm]	20
Q [mm]	300
Shaft R Key [mm]	5x5x28
Shaft S Diameter x Length [mm]	14 h6 x 35
T	M 8
Forces and Torques	
No Load Torque-Dynamic	0.9
Fx dynamic [N]	4000
Fy dynamic [N]	2000
Fz dynamic [N]	2800
Mx dynamic [Nm]	320
My dynamic [Nm]	300
Mz dynamic [Nm]	150
Fx static [N]	5000
Fy static [N]	3000
Fz static [N]	3500
Mx static [Nm]	400
My static [Nm]	360
Mz static [Nm]	180
Geometrical moments of inertia of aluminum profile	
Elastic modulus [N/mm <sup>2</sup> ]	70000
Ix [mm <sup>4</sup> ]	2220000
Iy [mm <sup>4</sup> ]	12200000
Weight	
Additional Weight per 100 mm [kg]	1.96
Basic Weight [kg]	8.2