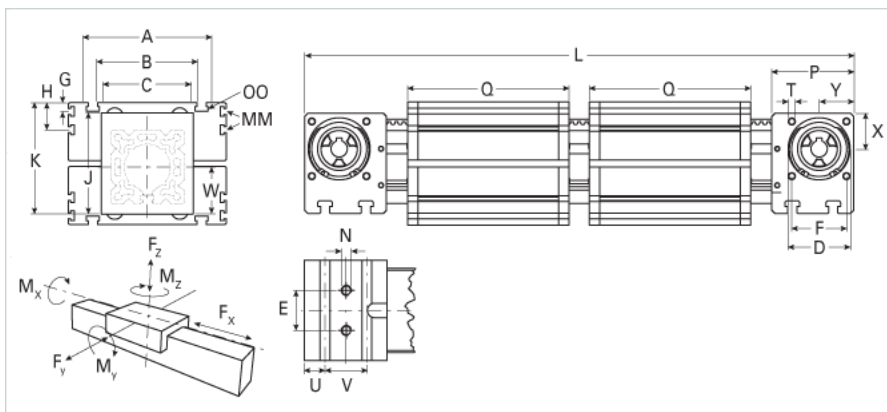
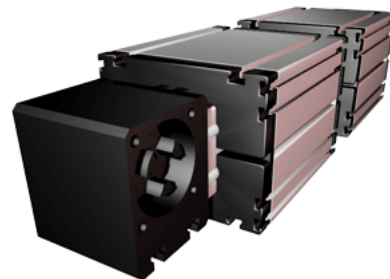


## ELZZ 80 WAC

Call 800-321-7800 or visit us online at [www.nookindustries.com](http://www.nookindustries.com) to configure and order your ELZZ 80 WAC today!



| Details  |         |
|--|---------|
| Size   | 80      |
| Belt   | 8M12    |
| mm/Rev   | 192     |
| Number of Teeth                                    | 24      |
| Dimensions   |         |
| Basic Length L [mm]                                | 602     |
| A [mm]   | 170     |
| B [mm]   | 117     |
| C [mm]   | 100     |
| D [mm]   | 68      |
| E [mm]   | 40      |
| F [mm]   | 60      |
| G [mm]   | 10      |
| H [mm]   | 30      |
| J [mm]   | 110     |
| K [mm]   | 121     |
| MM   | M6      |
| N  | M10     |
| OO   | M10     |
| P [mm]   | 90      |
| Q [mm]   | 210     |
| T  | M8      |
| U [mm]   | 22.5    |
| V [mm]   | 45      |
| W [mm]   | 51      |
| X [mm]   | 39      |
| Y [mm]   | 38      |
| Speed  |         |
| Speed Maximum [m/s]                                | 6       |
| Forces and Torques                                 |         |
| No-load torque [Nm]                                | 0.9     |
| Tensile force 0.2 sec [N]                          | 746     |
| Tensile force permanent [N]                        | 679     |
| Fx dynamic [N]                                     | 500     |
| Fy dynamic [N]                                     | 2000    |
| Fz dynamic [N]                                     | 1100    |
| Mx dynamic [Nm]                                    | 55      |
| My dynamic [Nm]                                    | 80      |
| Mz dynamic [Nm]                                    | 120     |
| Fx static [N]                                      | 679     |
| Fy static [N]                                      | 3000    |
| Fz static [N]                                      | 1700    |
| Mx static [Nm]                                     | 90      |
| My static [Nm]                                     | 110     |
| Mz static [Nm]                                     | 150     |
| Geometrical moments of inertia of aluminum profile |         |
| Elastic modulus [N/mm <sup>2</sup> ]               | 70000   |
| Ix [mm <sup>4</sup> ]                              | 1899000 |
| Iy [mm <sup>4</sup> ]                              | 1897000 |
| Weight   |         |
| Additional Weight per 100 mm [kg]                  | 1.00    |
| Basic Weight [kg]                                  | 12.8    |
| Values for Calculating Inertias                    |         |

|                               |       |
|-------------------------------|-------|
| Pulley Material               | Steel |
| Pulley Diameter [mm]          | 61.12 |
| Effective Pulley Width [mm]   | 100.0 |
| Belt Weight [kg/m]            | 0.256 |
| Standard Carriage Weight [kg] | 5.29  |
| No-load torque [Nm]           | 0.9   |
| Friction Coefficient          | 0.01  |