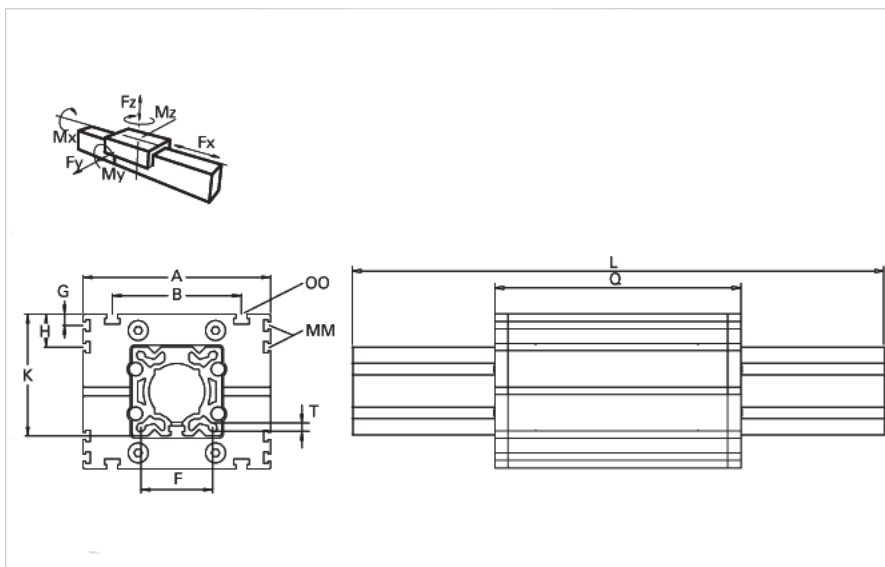
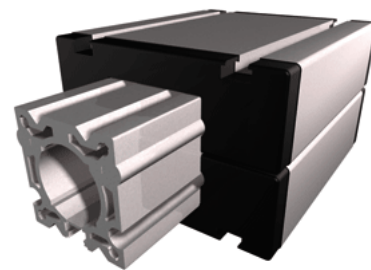


## ER 80S WAC

Call 800-321-7800 or visit us online at [www.nookindustries.com](http://www.nookindustries.com) to configure and order your ER 80S WAC today!



Details	
Size	80S
Dimensions	
Basic Length L [mm]	238
A [mm]	190
B [mm]	126
F [mm]	64
G [mm]	12.5
H [mm]	30
J	M6-M10
K [mm]	111
MM	M6
OO	M8
Q [mm]	234
T-Diameter	M8
Forces and Torques	
Fx dynamic [N]	-
Fy dynamic [N]	2600
Fz dynamic [N]	1800
Mx dynamic [Nm]	140
My dynamic [Nm]	230
Mz dynamic [Nm]	220
Fx static [N]	-
Fy static [N]	4600
Fz static [N]	3000
Mx static [Nm]	170
My static [Nm]	270
Mz static [Nm]	300
Geometrical moments of inertia of aluminum profile	
Elastic modulus [N/mm <sup>2</sup> ]	70000
Ix [mm <sup>4</sup> ]	1899000
Iy [mm <sup>4</sup> ]	1897000
Weight	
Additional Weight per 100 mm [kg]	0.90
Basic Weight [kg]	4.7