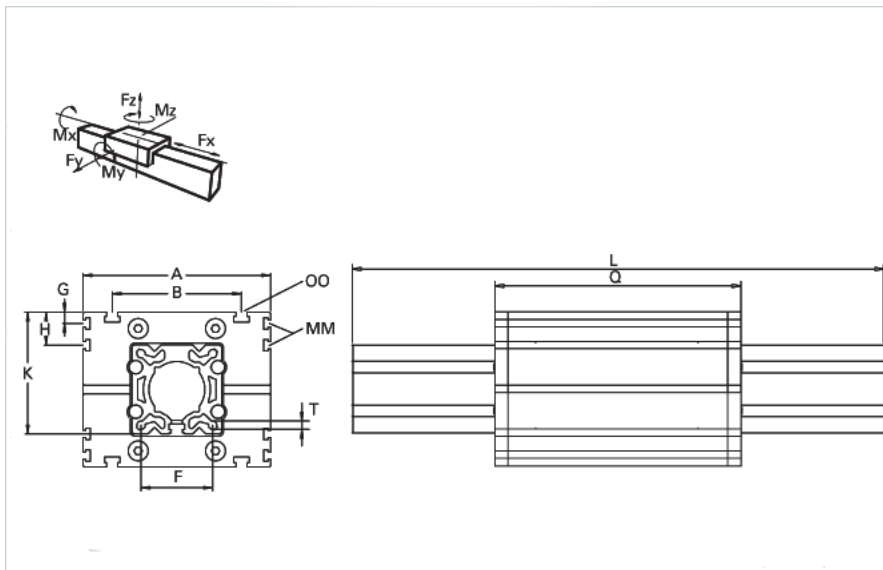
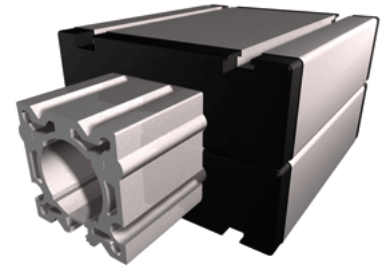


## ER 60S WAC

Call 800-321-7800 or visit us online at [www.nookindustries.com](http://www.nookindustries.com) to configure and order your ER 60S WAC today!



### Details

Size 60S

### Dimensions

Basic Length L [mm]	218
A [mm]	170
B [mm]	108
F [mm]	48
G [mm]	-
H [mm]	-
J	M6-M10
K [mm]	83
MM	-
OO	M8
Q [mm]	214
T-Diameter	M6

### Forces and Torques

Fx dynamic [N]	-
Fy dynamic [N]	3100
Fz dynamic [N]	1600
Mx dynamic [Nm]	65
My dynamic [Nm]	140
Mz dynamic [Nm]	170
Fx static [N]	-
Fy static [N]	4100
Fz static [N]	2160
Mx static [Nm]	88
My static [Nm]	190
Mz static [Nm]	230

### Geometrical moments of inertia of aluminum profile

Elastic modulus [N/mm <sup>2</sup> ]	70000
Ix [mm <sup>4</sup> ]	679000
Iy [mm <sup>4</sup> ]	697000

### Weight

Additional Weight per 100 mm [kg]	0.61
Basic Weight [kg]	3.4