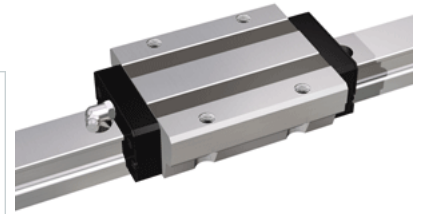
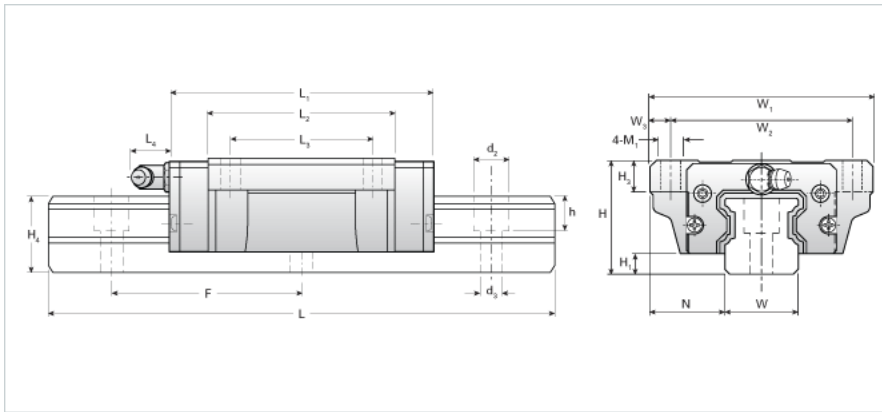


NH25LEA Assembly

Call 800-321-7800 or visit us online at www.nookindustries.com to configure and order your NH25LEA Assembly today!



| | |
|---|----------|
| Dimensions | |
| H [mm] | 36 |
| H1 [mm] | 6.5 |
| N [mm] | 23.5 |
| Metric Profile Rail (Rail)Details | |
| Size [mm] | 25 |
| Type | Standard |
| (Rail)Dimensions | |
| d2 [mm] | 11 |
| d3 [mm] | 7 |
| h [mm] | 11 |
| H4 [mm] | 24 |
| F [mm] | 60 |
| W [mm] | 23 |
| Maximum Length [mm] | 4000 |
| (Rail)Weight | |
| Weights-Rail [kg/m] | 3.2 |
| Metric Runner Block, Ultra Heavy Load, Flange Type, 4 Tapped Holes (Runner Block)Details | |
| Size [mm] | 25 |
| (Runner Block)Dimensions | |
| L1 [mm] | 107 |
| L2 [mm] | 83 |
| L3 [mm] | 45 |
| L4 [mm] | 12 |
| M1 | M8 |
| H3 [mm] | 10 |
| W1 [mm] | 70 |
| W2 [mm] | 57 |
| W3 [mm] | 6.5 |
| (Runner Block)Forces and Torques | |
| Basic Load Ratings C [kN] | 27.36 |
| Basic Load Ratings C [lbf] | 6149 |
| Basic Load Ratings C0 [kN] | 45.89 |
| Basic Load Ratings C0 [lbf] | 10314 |
| Static Moment Ratings-Ma [kN-m] | 0.47 |
| Static Moment Ratings-Ma [lb-in] | 4166 |
| Static Moment Ratings-Mb [kN-m] | 0.47 |
| Static Moment Ratings-Mb [lb-in] | 4166 |
| Static Moment Ratings-Mc [kN-m] | 0.64 |
| Static Moment Ratings-Mc [lb-in] | 5642 |
| (Runner Block)Weight | |
| Weight-Block [kg] | 0.97 |
| (Runner Block)Grease Fitting | |
| Grease Fitting Part Number | B-M6F |