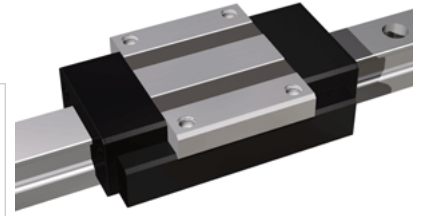
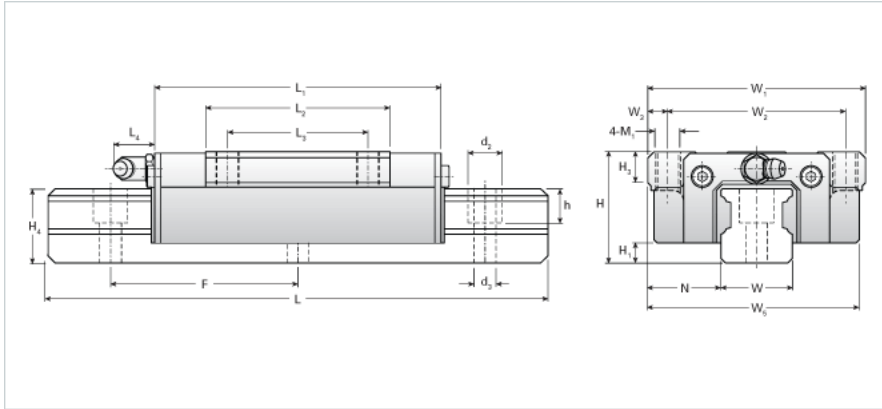


NH20TA Assembly

Call 800-321-7800 or visit us online at www.nookindustries.com to configure and order your NH20TA Assembly today!



Dimensions	
H [mm]	30
H1 [mm]	5
N [mm]	21.5
Metric Profile Rail (Rail)Details	
Size [mm]	20
Type	Standard
(Rail)Dimensions	
d2 [mm]	9.5
d3 [mm]	6
h [mm]	11
H4 [mm]	21
F [mm]	60
W [mm]	20
Maximum Length [mm]	3000
(Rail)Weight	
Weights-Rail [kg/m]	2.5
Metric Runner Block, Heavy Load, High Speed, 4 Tapped Holes On Flange (Runner Block)Details	
Size [mm]	20
(Runner Block)Dimensions	
L1 [mm]	91
L2 [mm]	50
L3 [mm]	40
L4 [mm]	0
M1 x l	M6X10
H3 [mm]	8
W1 [mm]	63
W2 [mm]	53
W3 [mm]	5
W5 [mm]	60
(Runner Block)Forces and Torques	
Basic Load Ratings C [kN]	13.92
Basic Load Ratings C [lbf]	3130
Basic Load Ratings C0 [kN]	23.83
Basic Load Ratings C0 [lbf]	5157
Static Moment Ratings-Ma [kN-m]	0.16
Static Moment Ratings-Ma [lb-in]	1389
Static Moment Ratings-Mb [kN-m]	0.16
Static Moment Ratings-Mb [lb-in]	1389
Static Moment Ratings-Mc [kN-m]	0.26
Static Moment Ratings-Mc [lb-in]	2344
(Runner Block)Weight	
Weight-Block [kg]	0.4
(Runner Block)Grease Fitting	
Grease Fitting Part Number	NAS516-1A