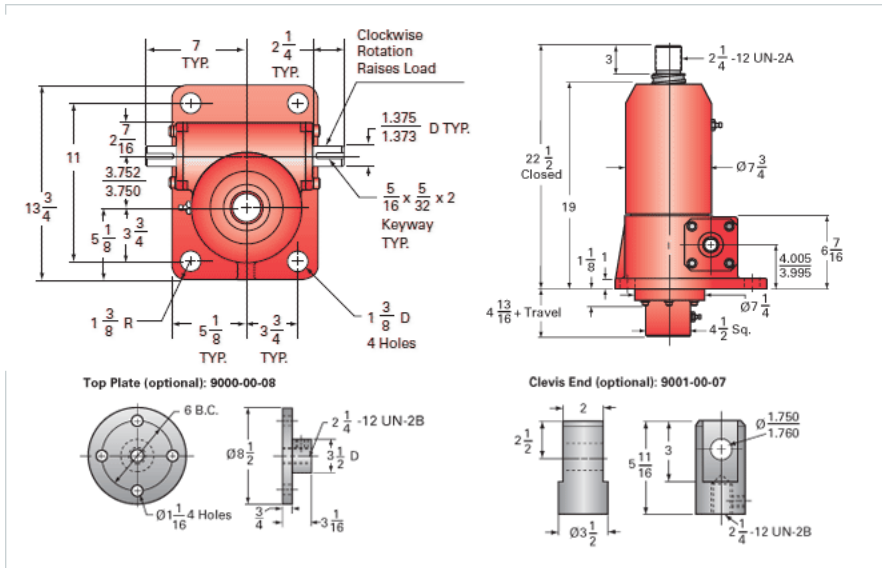


ActionJac 30-BSJ-UK 32:1

Call 800-321-7800 or visit us online at www.nookindustries.com to configure and order your ActionJac 30-BSJ-UK 32:1 today!



Details

| | |
|----------------------------------|--------|
| Capacity [Ton] | 30 |
| Gear Ratio | 32:1 |
| Turns of Worm per Inch Travel | 48.48 |
| Torque to Raise 1 lb. [in-lb] | 0.0092 |
| Lifting Screw Diameter [in] | 3.00 |
| Screw Lead [in] | 0.660 |
| Root Diameter [in] | 2.480 |
| BackDrive Holding Torque [ft-lb] | 5 |
| Tare Drag Torque [in-lb] | 60 |

Performance Specifications

| | |
|--|----------------------|
| Maximum Allowable Input [hp] | 3.50 |
| Maximum Input Torque [in-lb] | 503 |
| Maximum Worm Speed at Rated Load [rpm] | 399 |
| Maximum Load at 1750 RPM [lb] | 13680 |
| Starting Torque | 1.5 x Running Torque |

Weight

| | |
|-------------------------|------|
| Base 0 Travel [lb] | 220 |
| Per Inch of Travel [lb] | 2.40 |
| Grease [lb] | 3.5 |