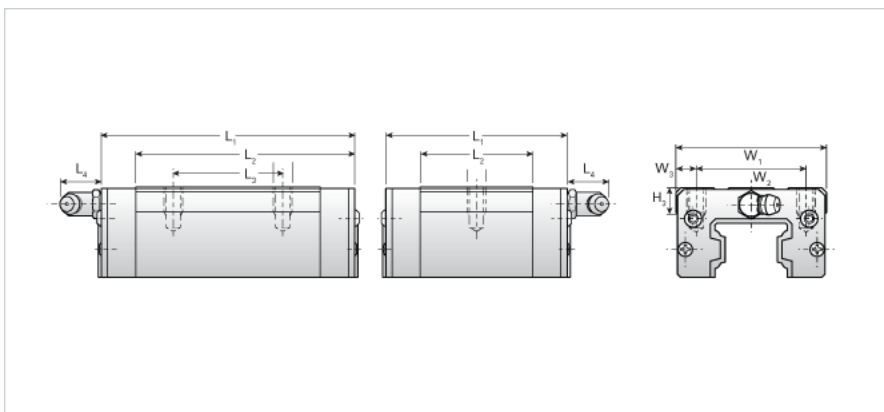
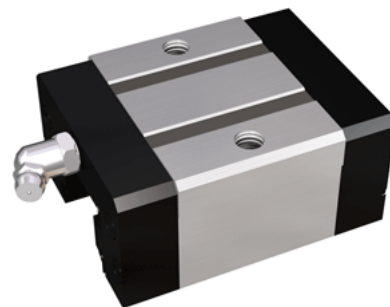


NU30SER

Call 800-321-7800 or visit us online at www.nookindustries.com to configure and order your NU30SER today!



Details	
Size [mm]	30
Dimensions	
L1 [mm]	73
L2 [mm]	44
L4 [mm]	12
M1 x l	M8X10
H3 [mm]	8
W1 [mm]	60
W2 [mm]	40
W3 [mm]	10
Forces and Torques	
Basic Load Ratings C [kN]	18.53
Basic Load Ratings C [lbf]	4165
Basic Load Ratings C0 [kN]	25.49
Basic Load Ratings C0 [lbf]	5730
Static Moment Ratings-Ma [kN-m]	0.14
Static Moment Ratings-Ma [lb-in]	1215
Static Moment Ratings-Mb [kN-m]	0.14
Static Moment Ratings-Mb [lb-in]	1215
Static Moment Ratings-Mc [kN-m]	0.39
Static Moment Ratings-Mc [lb-in]	3472
Weight	
Weight-Block [kg]	0.61
Grease Fitting	
Grease Fitting Part Number	B-M6F