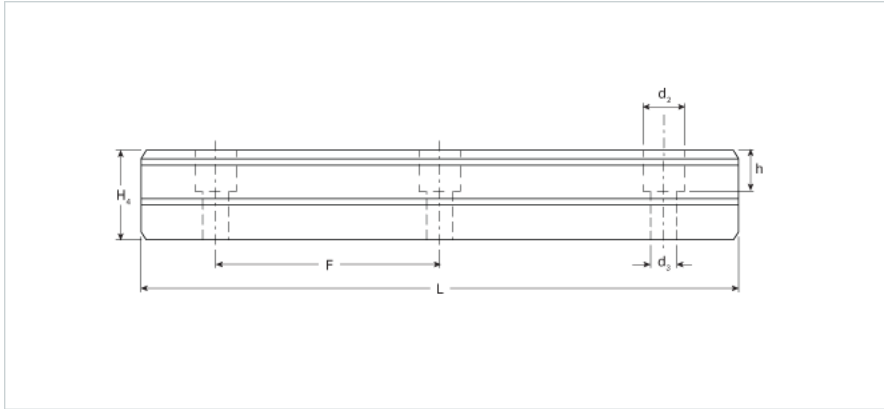


NH-15

Call 800-321-7800 or visit us online at www.nookindustries.com to configure and order your NH-15 today!



Details

| | |
|-----------|----------|
| Size [mm] | 15 |
| Type | Standard |

Dimensions

| | |
|---------------------|------|
| d2 [mm] | 7.5 |
| d3 [mm] | 4.5 |
| h [mm] | 7 |
| H4 [mm] | 17 |
| F [mm] | 60 |
| W [mm] | 15 |
| Maximum Length [mm] | 3000 |

Weight

| | |
|---------------------|-----|
| Weights-Rail [kg/m] | 1.7 |
|---------------------|-----|