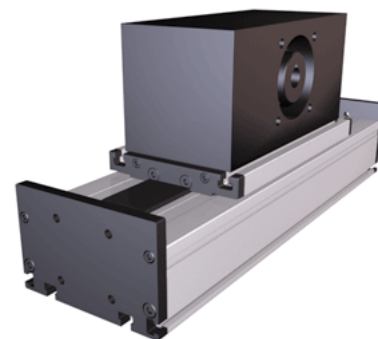
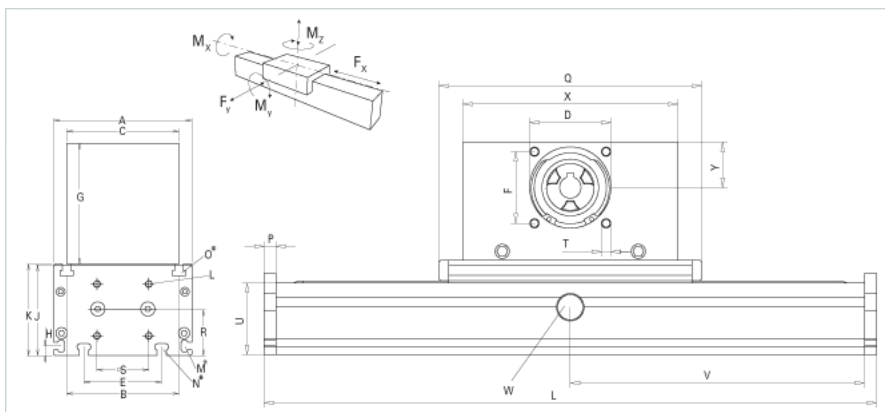


## DSSZ 160

Call 800-321-7800 or visit us online at [www.nookindustries.com](http://www.nookindustries.com) to configure and order your DSSZ 160 today!



### Details

Size	160
Belt	8M50
mm/Rev	256
Number of Teeth	32
Pully Diameter [mm]	81.5

### Dimensions

Basic Length L [mm]	330
A [mm]	160
B [mm]	130
C [mm]	130
D [mm]	90
E [mm]	90
F [mm]	80
G [mm]	140
H [mm]	11
J [mm]	105
K [mm]	106
L [mm]	
M	M6
N	M8
O	M8
P [mm]	12
Q [mm]	290
R [mm]	53
S [mm]	60
T	M10
U [mm]	80
X [mm]	270
Y [mm]	60
Shaft Diameter and Length [mm]	22 x 45
Key	6x6x40

### Speed

Speed Maximum [m/s]	5
---------------------	---

### Forces and Torques

Fx [N] 10000 km	3800
Fy [N] 10000 km	1775
Fz [N] 10000 km	4189
Mx [Nm] 10000 km	224
My [Nm] 10000 km	225
Mz [Nm] 10000 km	238
Fx [N] 5000 km	4000
Fy [N] 5000 km	2236
Fz [N] 5000 km	5278
Mx [Nm] 5000 km	282
My [Nm] 5000 km	283
Mz [Nm] 5000 km	300
No-load torque [Nm]	1.8
Tensile force 0.2 sec [N]	4300
Tensile force permanent [N]	4000

### Geometrical moments of inertia of aluminum profile

Elastic modulus [N/mm <sup>2</sup> ]	70000
Ix [mm <sup>4</sup> ]	2130000
Iy [mm <sup>4</sup> ]	1230000

**Weight**

Additional Weight per 100 mm [kg]

1.80

Basic Weight [kg]

27.8