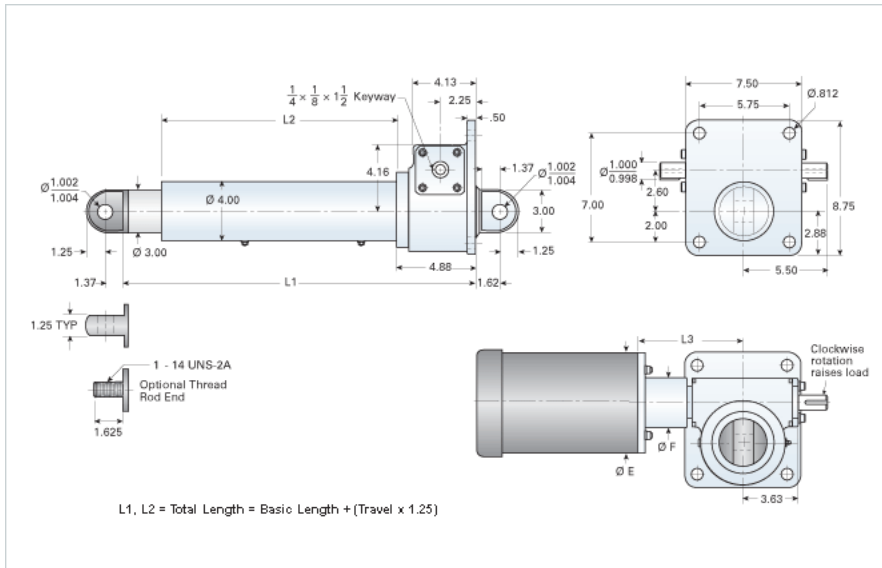


DD-1008-A2/20XX

Call 800-321-7800 or visit us online at www.nookindustries.com to configure and order your DD-1008-A2/20XX today!



Performance Specifications

| | |
|--|------|
| Travel Rate [in/min] | 108 |
| Dynamic Capacity [lb] | 2000 |
| Motor Horse Power (ref.) [hp] | 2 |
| Std. Brake Torque [ft-lb] | 10 |
| Approximate Stopping Distance No Load [in] | 0.60 |
| Maximum Rod Reaction Torque [in-lb] | 398 |

Details

| | |
|--------------------------------|--------|
| Gear Ratio | 8:1 |
| Input Turns Per Inch Of Travel | 16 |
| Torque To Raise 1 lb. [in-lb] | 0.0377 |
| Max Capacity [lb] | 20000 |
| Max HP [hp] | 5 |

Weight

| | |
|-------------------------|------|
| Basic Weight [lb] | 77 |
| Per Inch of Travel [lb] | 2.50 |

Tube Dimensions

| | |
|----------------------|-------|
| L1 Basic Length [in] | 12.88 |
| L2 Basic Length [in] | 6.50 |

NEMA 42 Dimensions

| | |
|---------|---|
| L3 [in] | - |
| E [in] | - |
| F [in] | - |

NEMA 48 Dimensions

| | |
|---------|---|
| L3 [in] | - |
| E [in] | - |
| F [in] | - |

NEMA 56C Dimensions

| | |
|---------|------|
| L3 [in] | 8.25 |
| E [in] | 6.75 |
| F [in] | 4.38 |

NEMA 182TC Dimensions

| | |
|---------|---|
| L3 [in] | - |
| E [in] | - |
| F [in] | - |

NEMA 184TC Dimensions

| | |
|---------|------|
| L3 [in] | - |
| E [in] | 9.25 |
| F [in] | - |

NEMA 213TC Dimensions

| | |
|---------|---|
| L3 [in] | - |
| E [in] | - |
| F [in] | - |