



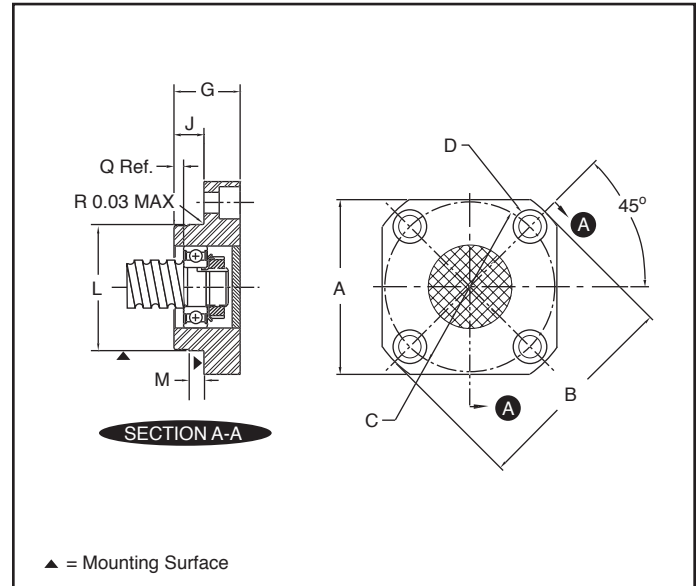
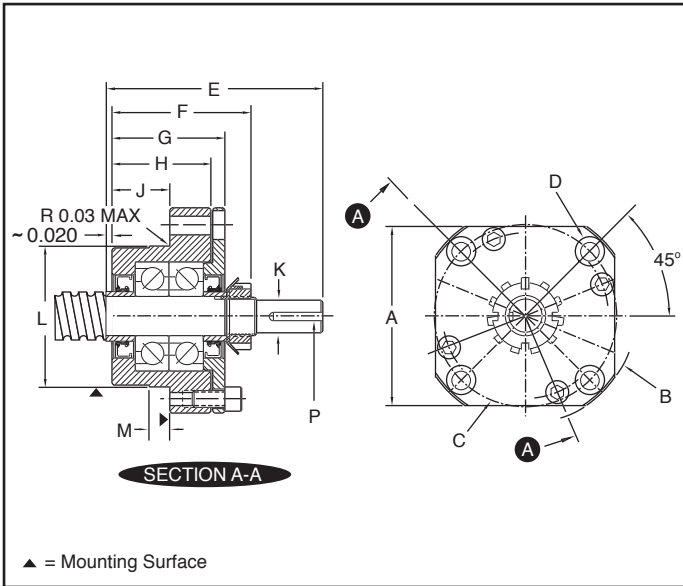
Flange-Mount Double

Double Angular Contact Bearing, which should be used with Type 3 Standard Ends



Flange-Mount Single

Single Radial Bearing, which should be used with Type 1 Standard Ends



When mounting Ezze-Mounts opposite to what is shown, contact Nook engineering for proper dimensions.

EZZE-MOUNT™ END BEARING SUPPORTS TECHNICAL DATA

DOUBLE Part No.	SINGLE Part No.	A Sq.	B Dia.	C Bolt Circle	D Thru	E	F	G		H	J		K Shaft Dia.	L	M	P	Q	MACHINED END CODE
					C'Bore			Single	Double		Single	Double						
EZF-1007	EZF-4007	1.88	2.44	1.875	0.266 0.44	1.94	1.44	1.00	1.06	0.82	0.40	0.50	0.187 0.186	1.3775 1.3770	0.188	0.063	0.13	7
EZF-1008	EZF-4008	1.88	2.44	1.875	0.266 0.44	2.00	1.44	1.00	1.06	0.82	0.40	0.50	0.250 0.249	1.3775 1.3770	0.188	0.094	0.13	8
EZF-1009	EZF-4009	2.00	2.60	2.000	0.266 0.44	2.38	1.81	1.00	1.33	1.09	0.44	0.71	0.250 0.249	1.4957 1.4951	0.188	0.094	0.13	9
EZF-3010	EZF-4010	2.00	2.60	2.000	0.266 0.44	2.50	1.81	1.00	1.33	1.09	0.44	0.71	0.312 0.311	1.4957 1.4951	0.190	0.125	0.13	10
EZF-3012	EZF-4012	2.50	3.17	2.500	0.266 0.44	3.29	1.99	1.15	1.57	1.38	0.55	0.75	0.406 0.405	1.8894 1.8888	0.312	0.125	0.13	12
EZF-3015	EZF-4015	2.70	3.27	2.750	0.281 0.44	3.50	2.10	1.25	1.71	1.50	0.63	0.88	0.500 0.499	2.1256 2.1250	0.312	0.125	0.20	15
EZF-3017	EZF-4017	3.38	4.03	3.250	0.344 0.53	3.65	2.33	1.32	1.93	1.63	0.63	0.94	0.500 0.499	2.5193 2.5185	0.312	0.125	0.20	17
EZF-2020	EZF-4020	3.38	4.03	3.250	0.344 0.53	4.03	2.71	1.47	1.98	1.72	0.72	1.03	0.625 0.624	2.5193 2.5185	0.312	0.188	0.20	20
EZF-3025	EZF-4025	4.38	5.31	4.250	0.531 0.81	4.45	2.89	1.67	2.36	1.94	0.76	1.19	0.750 0.749	3.1492 3.1482	0.375	0.188	0.25	25
EZF-2030	EZF-4030	4.38	5.31	4.250	0.531 0.81	4.86	3.05	1.67	2.36	1.94	0.76	1.19	1.000 0.999	3.1492 3.1482	0.375	0.250	0.25	30